

**Light Tower**


LIGHT TOWER  
**AL4000**

**Features**

- Full sized, 30 ft (9.1 m) extended height floodlight tower illuminates 7-1/2 acres.
- Galvanized tower is 360° rotatable for easy aiming from the ground.
- Winch handle ergonomically positioned for easy raising and lowering. Winch drum is inside cabinet.
- Light fixtures mount securely on mast for travel or can be left on crossarm.
- Pallet pockets and lifting eye make unit easier to load and unload.
- Plug-in ballasts are installed in galvanized steel boxes.
- Light fixtures plug into weatherproof receptacle box with UL and CSA approved connectors.
- Retractable power cord automatically recoils into protective sleeve to prevent damage when raising, lowering and moving tower.
- Control panel located inside cabinet, protected from the elements.

# Light Tower AL4000

## Specifications

Lamps	Metal halide 4 x 1,000 W
Generator	Brushless 60 Hz, 6.0 kW
Engine	Kubota diesel 13.6 hp
Fuel capacity	30 gal (114 L)
Wheel size	15 in (38 cm)
Axle rating	3,500 lbs (1,558 kg)
Tongue weight travel position	147 lbs (67 kg)
Total weight no fuel	1,950 lbs (885 kg)

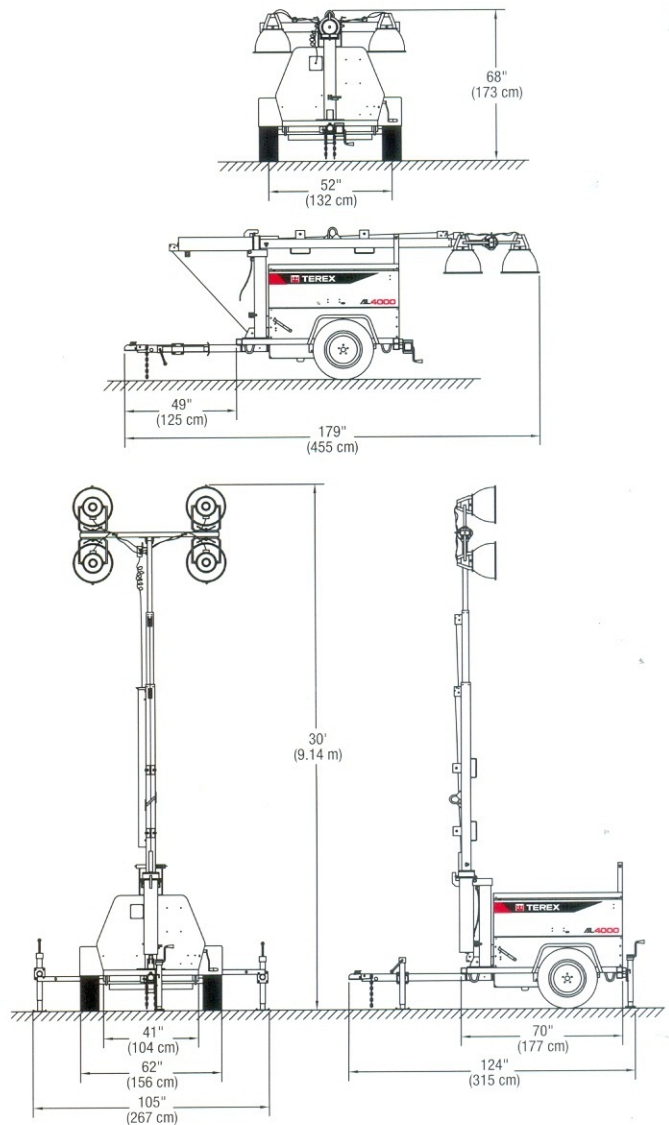
Notice: Metal halide lamp bulbs contain mercury (Hg).

Dispose of lamp bulbs according to local, state and federal laws.

## Options and Accessories

Kubota diesel water-cooled, 13.6 hp/8.0 kW generator set
Perkins/CAT diesel water-cooled, 14.3 hp/6.0 kW generator set
50 Hz, 7 kW generator Kubota engine
Auto-start/stop
50 gal (189 L) fuel capacity
Block heater
Combination ring/ball hitch
Ring hitch 2.5"
Tail light package
Electric trailer brakes
Hydraulic surge brakes (ring or ball hitch)
Electric 12 volt winch
12 Volt dome light with switch
Export racking/preparation
700 CCA battery
Fuel water separator with fuel line heater
Low temperature coolant mixture (-40 deg F)
Battery heater blanket
Roda Deaco air shutdown system

## Dimensions



Terex Aerial Work Platforms

18340 NE 76th Street  
PO Box 97030  
Redmond, WA 98073-9730

TEL +1 (425) 881-1800  
TOLL FREE +1 (800) 536-1800  
PARTS & TECH SUPPORT +1 (800) 228-6444  
FAX +1 (425) 883-3475  
WEB [www.genieindustries.com](http://www.genieindustries.com)

For more information, product demonstration, or details on purchase, lease and rental plans, please contact your local Terex AWP distributor.